

FEATURES

BOX VAN

- 1.25m³ van body
- Aluminium frame, dry freight panels with a range up to Automatic LED light inside van body
- Lockable shutter door to nearside only
- Available option shutter door to offside and rear

ALUMINIUM CAB

- Light weight aluminium cab with Electric heated front windscreen and rear window
- Sliding door windows
- Two-speed front wiper and screen wash

355 STEEL CHASSIS

- S355 steel with anti-corrosion protection



TOW HITCH (OPTIONAL)

- Tow hitch and trailer socket

FULL ROAD LIGHTING

- In accordance with L7e
- Headlights
- Side lights
- Rear and brake light
- Indicators
- Hazard warning lights
- Reverse light
- Rear fog light
- LED running lights

BATTERY

- 100% Electric
- Zero Emission
- Lead Acid or Lithium

SUSPENSION

- Front-wheels: McPherson with helical springs and hydraulic shock absorber
- Rear-wheels: leaf-spring with hydraulic shock absorber

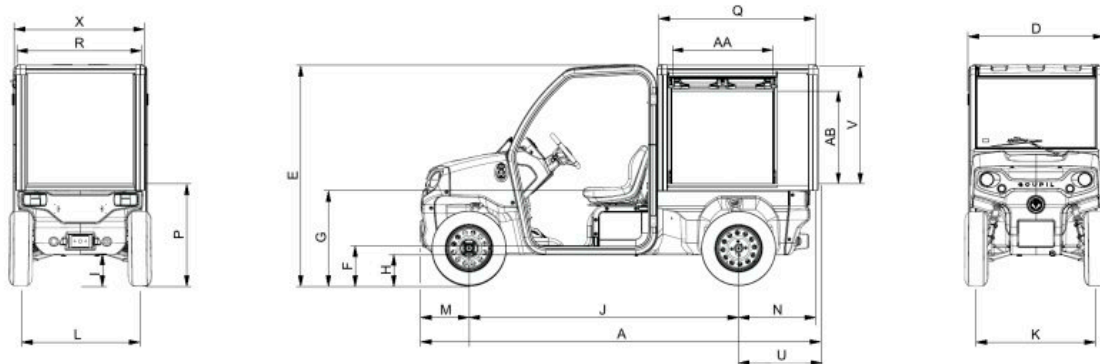
BRAKING

- Electronic regenerative braking
- Dual circuit hydraulic brake system with a braking compensator controlled by the load
- Front: disk brakes
- Rear: drum brakes

DIMENSIONS AND PERFORMANCE

BATTERY				
Battery Type		Lead Acid	Lithium	
Battery Size	(kWh)	5.8	5.2	8.6
Homologation		L7e	L7e	L7e
WEIGHTS				
GVM Gross Vehicle Weight	(kg)	1100	1100	1100
Kerb weight	(kg)	685	567	598
Payload capacity (Excluding driver)	(kg)	415	533	502
Tow load capacity - road / site use, braked / unbraked ¹	(kg)	233	233	233
BATTERIES AND CHARGER				
Battery voltage / nominal capacity	(v) / (a)	48 / 120	51.2 / 100	51.2 / 165
Recharge time	(hours)	6h	6h 30	11h
Charger	(v) / (a)	48 / 21	48 / 21	48 / 21
Supply		240v single phase	240v single phase	240v single phase
Current draw	(a)	12	12	12
Auxiliary battery	(v) / (a)	12 / 45	12 / 45	12 / 45
PERFORMANCE				
Maximum torque	(Nm)	60	60	60
Nominal power	(kW)	5.1	5.1	5.1
Range (according to WLTP cycle)	(miles)	27	37	62
Two factory speed settings: High speed / Low speed	(mph)	18 / 6.5	18 / 6.5	18 / 6.5
Maximum gradient - unladen / laden	(%)	25 / 15	25 / 15	25 / 15
Maximum gradient - with trailer	(%)	12	12	12
Approach angle	(°)	25	25	25
External turning radius wall to wall	(mm)	4700	4700	4700
External turning radius kerb to kerb	(mm)	4650	4650	4650

¹Tow hitch available as an optional extra



DIMENSIONS (MM)																					
A	D	E	F	G	H	I	J	K	L	M	N	P	Q	R	U	V	X	AA	AB	AC	AD
3235	1105	1785	275	784	212	266	2215	975	985	370	565	793	1278	1020	665	961	1108	820	745	820	745