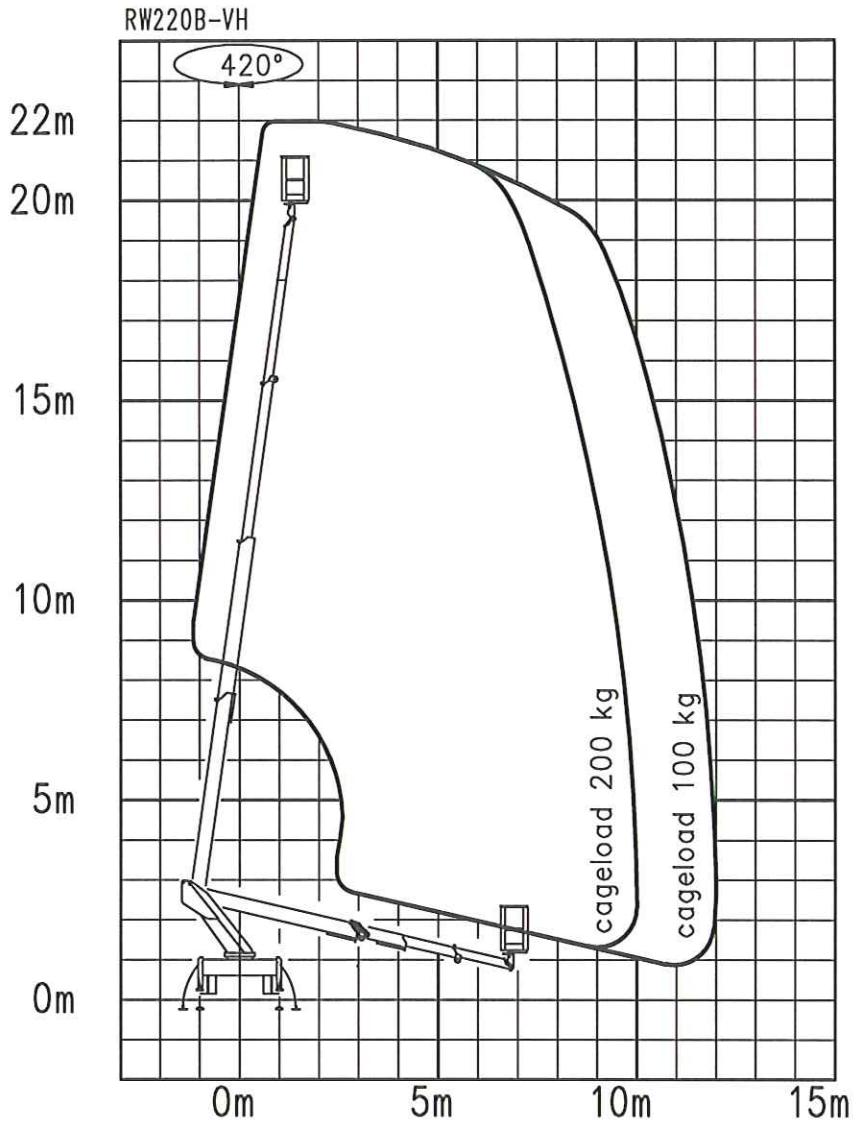


Outreach diagram WTB220



G.V.W. 3,5t

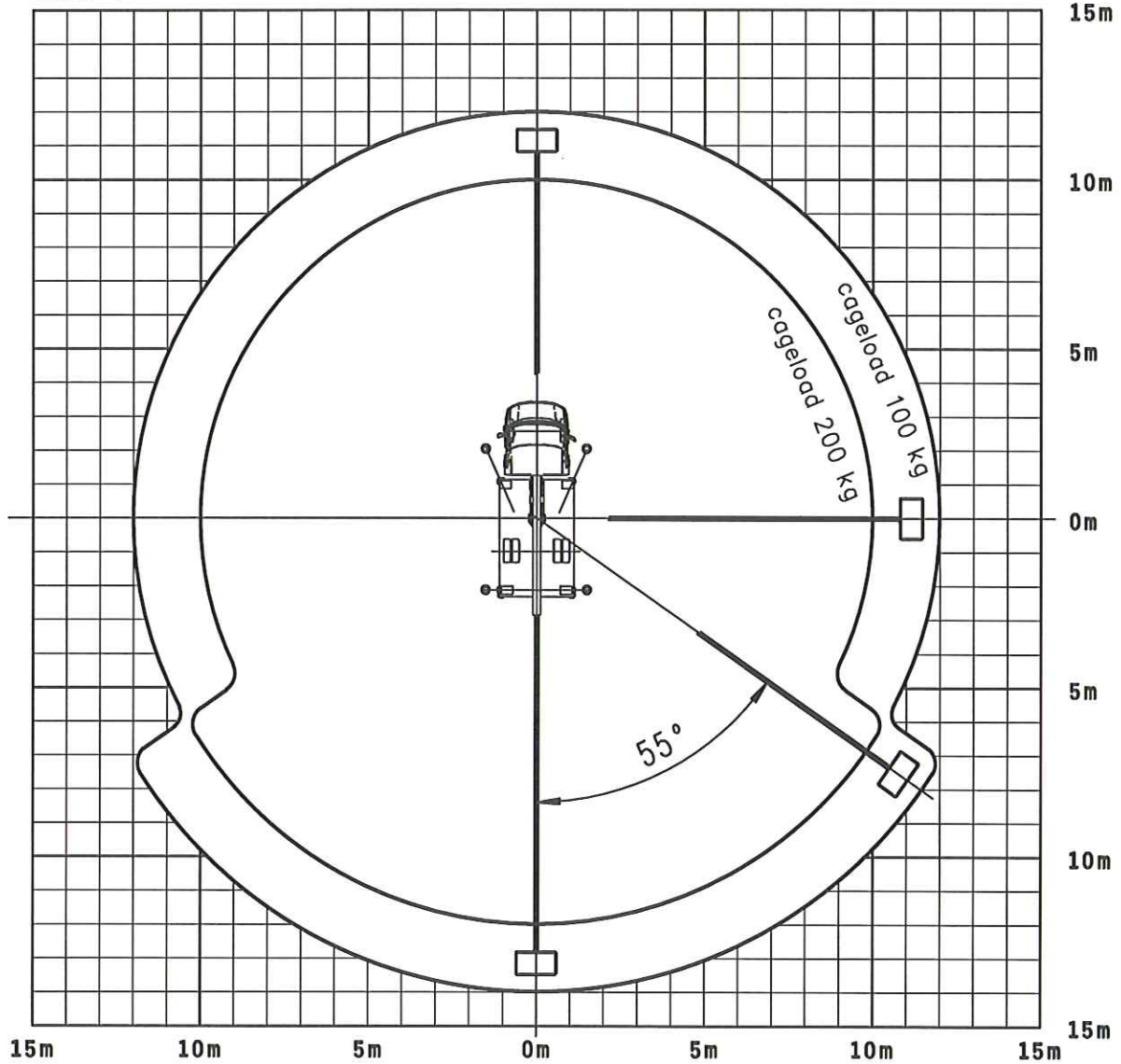
Date: 04.12.2008 / Luk

The outreach is depending from the vehicle, type of stabilizing and the additional equipment of the mobile elevating work platform.

We reserve our right to technical alterations without prior notice.

Outreach diagram WTB220

RW220B-V0



G.V.W. 3,5t

Date: 04.12.2008 / Luk

The outreach is depending from the vehicle, type of stabilizing and the additional equipment of the mobile elevating work platform.

We reserve our right to technical alterations without prior notice.