

# AR 40

**Operation weight:**  
3,500 kg

**Power:**  
29.4 kW (40 HP)

**Shovel capacity:**  
0.5 - 0.6 m<sup>3</sup>



 **Weycor**  
BY ATLAS WEYHAUSEN



# AR 40



## COMPACT AND AGILE WITH IMPRESSIVE INNER VALUES.

weycor wheel loaders are more than the sum of their parts. They reflect true passion, a fascination with technology and 'Made in Germany' quality.

The AR 40 has compact dimensions and a small turning circle. It's perfect for horticulture, landscape gardening and agriculture applications, or on small construction sites.

The 'small' AR 40 has all the inner values that people appreciate in weycor wheel loaders: stability, long lifespan and impressive performance data.

Reflecting ATLAS Weyhausen's philosophy of always focusing on the optimum solution, the AR 40 has technical highlights that are generally exclusive to larger wheel loaders. The AR 40 is unusual in that it is available with two different cabin design options.





# WEYCOR: POWERFUL, PRECISE, RELIABLE.



## LATEST KINEMATICS TECHNOLOGY

The proven and tested weycor kinematics with its exceptional tear-out force and excellent lifting heights. The tapered loading rocker makes sure you can always keep an eye on the attachment.



## EASY MAINTENANCE

Low-maintenance and quick, easy servicing is achieved by central, consolidated, easy-to-reach service points.



## HYDRAULIC QUICK-CHANGE ATTACHMENT

By allowing you to change the wheel loader's attachments in a few seconds, it turns the vehicle into an all-rounder.



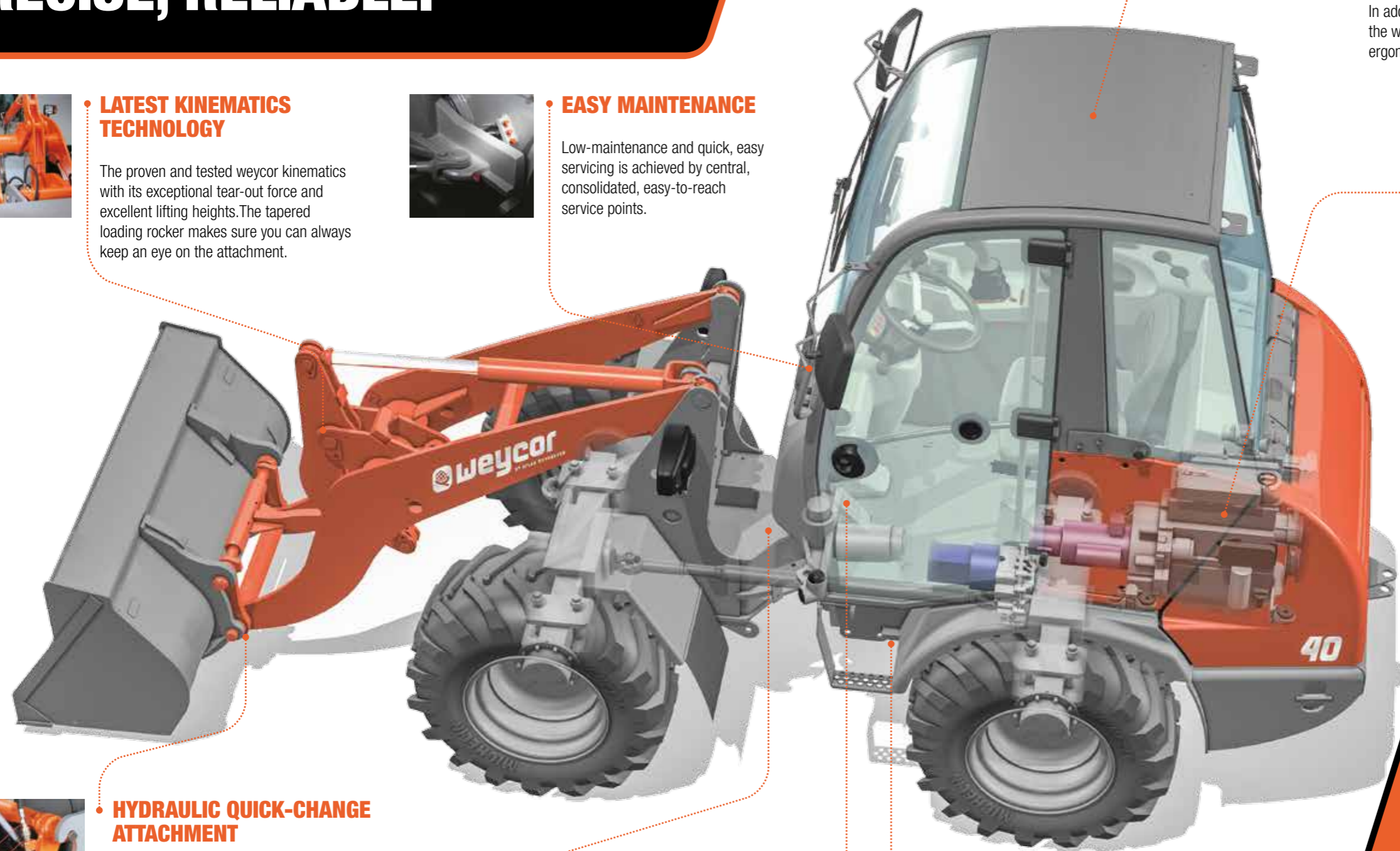
## ARTICULATED PENDULUM JOINT

Provides for excellent maneuverability and crosscountry mobility. Even on challenging terrain, the low center of gravity ensures exceptional stability.



## SEPARATE INCHING PEDAL

Less wear & tear and fuel consumption: In contrast to the conventional combined brake/inching pedal, with the separate inching pedal, the risk of inadvertently activating the main brake while you drive is eliminated.



## OPTIONAL CABIN VERSION

In addition to the excellent circumferential visibility in the wheel loader, its clearly arranged controls and its ergonomic design.

## POWERFUL DRIVE UNIT

weycor wheel loaders are equipped with state-of-the-art engines which combine high power reserves for challenging operations with up-to-date low emission values.



## PERKINS ENGINE 403D-15T INDUSTRIAL

The 400 Series engine family continues to set standards in the compact engine range. Developed alongside customers to fulfil their needs in the construction, materials handling and agricultural/turf markets. Built to the most demanding standards, the 400D engines meet all the requirements of the off-highway emissions legislation for TIER 4. The noise levels have been kept to a minimum, product design and process improvements enhance both engine reliability and durability.

## LOW CENTER OF GRAVITY

Thanks to their low center of gravity, weycor wheel loaders are secured against tipping, even under extreme circumstances.

# AR 40

## TECHNICAL DATA

### ENGINE

<b>Make</b> .....	Perkins Diesel engine 403D-15T
<b>Type</b> .....	water cooled
<b>Power***</b> .....	set to 29.4 kW (40 HP) at 2,800 min <sup>-1</sup>
<b>Max. torque</b> .....	112 Nm at 1,800 min <sup>-1</sup>
<b>Stroke</b> .....	1,496 cm <sup>3</sup>
<b>Cylinders</b> .....	3 in line

### ELECTRICAL SYSTEM

<b>Operating voltage</b> .....	12 V
<b>Battery</b> .....	12 V / 66 Ah
<b>Alternator</b> .....	14 V / 65 A
<b>Starter</b> .....	12 V / 2.0 kW

### DRIVE

- Output-regulated hydrostatic drive with pressure cut off and closed circuit acting on all 4 wheels
- Speed with standard tires: Operating speed range 0-6.5 km/h Road speed range 0-20 km/h
- 1st and 2nd hydraulic gear can be engaged under load, forward/backward travel also
- Forward/backward travel, speed ranges and off-position operational via weycor joystick
- Drive operated by accelerator and separate inching pedal for best distribution of the hydraulic power for thrust and lifting forces

### BRAKES

**Standard brake:** Drum brake on front axle via cardan acting on all 4 wheels. Supplementary brake functions via inching pedal and hydrostatic drive acting on all 4 wheels.

**Parking brake:** Drum brake via funicular link acting on all 4 wheels with engine switch off.

### AXLES

Rigid axles with planetary reduction gears in wheel hubs. 45%-differential lock in front axle.

### STEERING

- Fully hydraulic center pivot steering
- Front and rear wheels follow the same track
- Steering angle of 40° to each side, ±12° angular movement at rear of vehicle
- Operating pressure of steering hydraulics 175 bar
- Emergency steering function

### TIRES

**Standard:** 15.0/55-17 – Multi-purpose tires for earth moving machines, particularly surface friendly, gardening and landscaping

**Special tires:** 11.5/80-15.3 MPT – Multi-purpose tires for sand and gravel surface, woodland, roads and paths

More special tires upon request

### HYDRAULIC SYSTEM

- Gear pump for loading and steering hydraulics
- Priority valve favoring steering hydraulics
- 3rd steering section for loading hydraulics mechanically controlled by weycor joystick, including float position
- Operating pressure 275 bar, Delivery of pump 39 l/min

### LOADING EQUIPMENT

- Powerful and solid Z-kinematics with high tear out force
- Hydraulic quick change device
- Activation of all functions by weycor joystick
- Automatic mid position of joystick
- Parallel movement while using pallet forks
- Automatic shovel return to excavation position
- Locking device acc. to German StVZO for road travel
- Lifting 4.0 s**
- Lowering 3.5 s**
- Tipping 1.0 s**

### FUEL/OIL CAPACITIES

Diesel.....	70 Liter
Hydraulic oil.....	28 Liter
Engine oil .....	3 Liter
Front axle .....	4 Liter
Rear axle.....	3.5 Liter
Gear oil .....	0.65 Liter
Cooling liquid.....	6 Liter

## STANDARD EQUIPMENT

### INCLUSIVE

- weycor canopy cabin with roll-bar protection
- Activation of all functions by weycor joystick
- Control lights for speed range, forward/backward travel
- Lights acc. to German StVZO for road travel
- Individually adjustable driver's seat
- Control lights for engine oil pressure, overheating, hydraulic oil temperature, battery power, parking brake, air filter
- Central dashboard with indicators for preheating, fuel, working hour meter

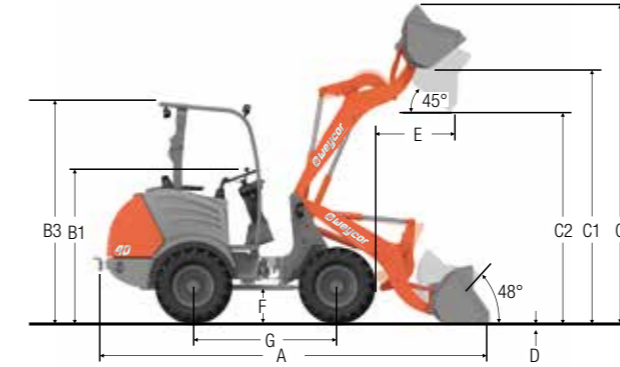
## OPTIONS

### TECHNICAL OPTIONS

- Main battery switch
- Special paintings and oils
- Cyclone dust separator
- Trailer coupling
- Sound absorbing ROPS cab
- Rear driving mirrors, foldable
- Front windscreen ventilation, variable output
- Windscreen wipe and wash unit in front and rear
- Sun visor, ceiling lamp, stow facility
- Heat protection glazing with largetinted screens
- Left hinged adjustable window, right window to open can be fastened
- Hot water heating with heat exchange and 3-stage-fan
- Anti-theft-device with code stick
- Radio
- Warning beacon

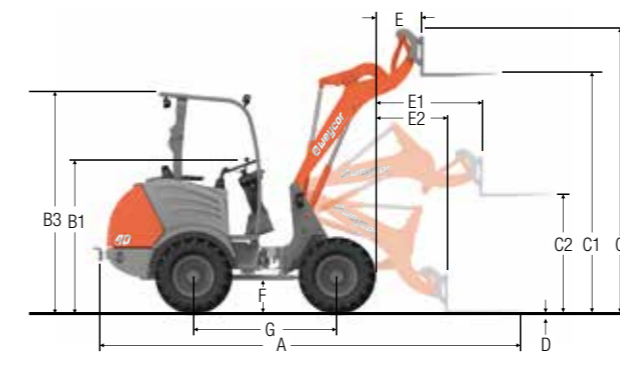
More options upon request

### TECHNICAL DATA AR 40 WITH STANDARD SHOVEL



A	4,355 mm
B1	1,696 mm
B2	2,380 mm*
B3	2,447 mm
C	3,615 mm
C1	2,940 mm
C2	2,340 mm
D	20 mm
E	502 mm
F	400 mm
G	1,715 mm
H	1,500 mm
I	1,550 mm
R	1,605 mm
R1	3,150 mm
α	40°

### TECHNICAL DATA AR 40 WITH PALLET FORKS



A	4,855 mm
B1	1,696 mm
B2	2,380 mm*
B3	2,447 mm
C	3,325 mm
C1	2,725 mm
C2	1,180 mm
D	75 mm
E	245 mm
E1	1,010 mm
E2	565 mm
F	400 mm
G	1,715 mm
H	1,500 mm
I	1,030 mm
R	1,605 mm
R1	3,150 mm
α	40°

\* Cab Version

### DIAGRAM FOR SHOVEL SELECTION



### SPECIFIC GRAVITY FOR MATERIAL HANDLING WEIGHT (t/m³)

Construction	Industry	
concrete.....1.9	ember.....0.7	phosphate fertiliser.....2.2
soil (dry).....1.5	brown coal briquette.....0.8	turf (watery).....1.1
soil (watery).....2.0	ferrous product.....7.8	turf (dry).....0.4
rock (fill).....2.4	iron ore.....2.3	mineral fertiliser.....1.0
granite.....1.8	cullet.....1.9	
limestone.....1.6	gas coke.....0.4	
gravel (dry).....1.9	timber.....0.8	
gravel (watery).....2.1	mineral coal.....1.2	
loam.....1.7	paper.....0.9	
plaster.....2.2	slag.....1.0	
sand (dry).....1.9	slag concrete.....2.7	
sand (watery).....2.1		
sandstone.....2.4		
shale.....2.2	<b>Landscaping, Agriculture</b>	
sediment.....2.1	agricultural crop.....0.7	
crushed stone.....1.5	grain.....0.6	
de-icing salt.....1.3	hay.....0.3	
clay.....1.6	potash.....1.1	
cement.....1.7	compost.....1.0	
clinker (stacked).....1.8	flour.....0.5	
	clay (watery).....2.3	

## OPERATING DATA

Shovel capacity acc. to SAE	0.5 m <sup>3</sup>
Track width	1,070 mm
Turning radius (outer shovel edge)	3,150 mm
Tear out force	3,170 daN
Torque	2,500 daN
Tipping load, straight	2,719 kg
Tipping load, articulated	2,422 kg
Lifting capacity at ground level	2,340 daN
Service weight	3,500 kg

### Differing data for use of pallet forks (500 mm distance to center of gravity)\*

Static tipping load, articulated	1,875 kg
Lifting capacity	1,600 daN
Payload 80% even surface**	1,500 kg
Payload 60% uneven surface***	1,125 kg

### Sound level Agrar- / Cabin-version

Average acoustic power-level L <sub>WA</sub> <sup>(1)</sup>	99.7 dB(A)
Guaranteed acoustic power-level L <sub>WA</sub> <sup>(2)</sup>	101.0 dB(A)
Sound pressure level L <sub>pA</sub> <sup>(3)</sup>	83.0 dB(A)
Specific vibration-data Hand- / arm- / bodyvibration <sup>(4)</sup>	< 2.5/0.5 m/s <sup>2</sup>

\* Travel with load only permitted close to the ground.  
 \*\* According to ISO 8313 and EN 474-3. \*\*\* According to ISO 14396, EU RL97/68/EC. (1) According to 2000/14/EG & appendices. (2) According to 2000/14/EG & appendices. (3) According to ISO 6396. (4) According to ISO 8041.



# PRODUCT RANGE

## Model range S



### AR 30

2,150 kg  
24.6 kW (33.5 HP)  
0.32 - 0.45 m<sup>3</sup>



### AR 35

2,500 kg  
24.6 kW (33.5 HP)  
0.34 - 0.45 m<sup>3</sup>



### AR 35 Super

2,875 kg  
29.4 kW (40.0 HP)  
0.34 - 0.50 m<sup>3</sup>



### AR 40

3,500 kg  
29.4 kW (40.0 HP)  
0.50 - 0.60 m<sup>3</sup>

## L

### AR 60

4,300 kg / 4,650 kg  
36.5 kW (50.0 HP)  
0.65 - 1.00 m<sup>3</sup>

### AR 65<sup>e</sup>

5,150 kg  
54.0 kW (73.0 HP)  
0.80 - 1.05 m<sup>3</sup>

### AR 75<sup>e</sup>

5,760 kg  
54.0 kW (73.0 HP)  
1.00 - 1.25 m<sup>3</sup>

### AR 75<sup>e</sup> S

6,280 kg  
54.0 kW (73.0 HP)  
0.80 m<sup>3</sup>

### AR 75<sup>e</sup> T

6,000 kg  
54.0 kW (73.0 HP)  
1.00 m<sup>3</sup>

## XL

### AR 80<sup>e</sup>

6,220 kg  
70.0 kW (95.0 HP)  
1.10 - 1.30 m<sup>3</sup>

### AR 85<sup>e</sup>

7,000 kg  
80.0 kW (109.0 HP)  
1.30 - 1.50 m<sup>3</sup>

### AR 95<sup>e</sup>

7,900 kg  
85.0 kW (115.5 HP)  
1.40 - 2.00 m<sup>3</sup>

### AR 95<sup>e</sup> Super

8,200 kg  
95.0 kW (129.0 HP)  
1.40 - 2.00 m<sup>3</sup>

## XXL

### AR 105<sup>e</sup>

9,450 kg  
105.0 kW (143.0 HP)  
1.60 - 2.00 m<sup>3</sup>

### AR 200<sup>B</sup>

12,400 kg  
115.0 kW (156.0 HP)  
2.10 - 2.50 m<sup>3</sup>

### AR 250<sup>B</sup>

13,800 kg  
160.0 kW (218.0 HP)  
2.40 - 3.00 m<sup>3</sup>

Operation weight

Power

Shovel capacity

Operation weight

Power

Shovel capacity

Operation weight

Power

Shovel capacity

Operation weight

Power

Shovel capacity

Operation weight

Power

Shovel capacity

Compliance with the new statutory limits for exhaust emissions is one thing. Deriving tangible benefits for our customers is another. We are proud to have incorporated both in the development of the new generation of wheel loaders.

**Higher power - lower consumption** plus a series of other innovative features that make a genuinely positive difference in a construction site environment. All the features inside are now represented on the outside by a small 'e' and the new product name 'weycor'.

**weycor is an ATLAS WEYHAUSEN GMBH brand.**

ATLAS WEYHAUSEN GMBH · D - 27793 Wildeshausen  
Phone +49 (0) 44 31 - 98 10 · info@weycor.de · www.weycor.de

 **weycor**  
BY ATLAS WEYHAUSEN

Under our policy of continuous improvement, we reserve the right to change specifications and design without prior notice, errors expected. The technical data refer only to the standard version, illustrations do not necessarily show the standard version of the machine. Not all products are available in all markets.